

SINGER

133K2,K3

Form K4841
(Sup. K4221)
Printed in Gt. Britain
(334)

ILLUSTRATED
LIST OF PARTS

FOR

Nos. 133K2 and 133K3 MACHINES

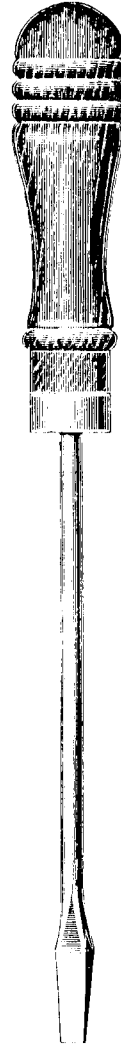


THE SINGER MANUFACTURING COMPANY

All rights reserved.

From the library of: Diamond Needle Corp

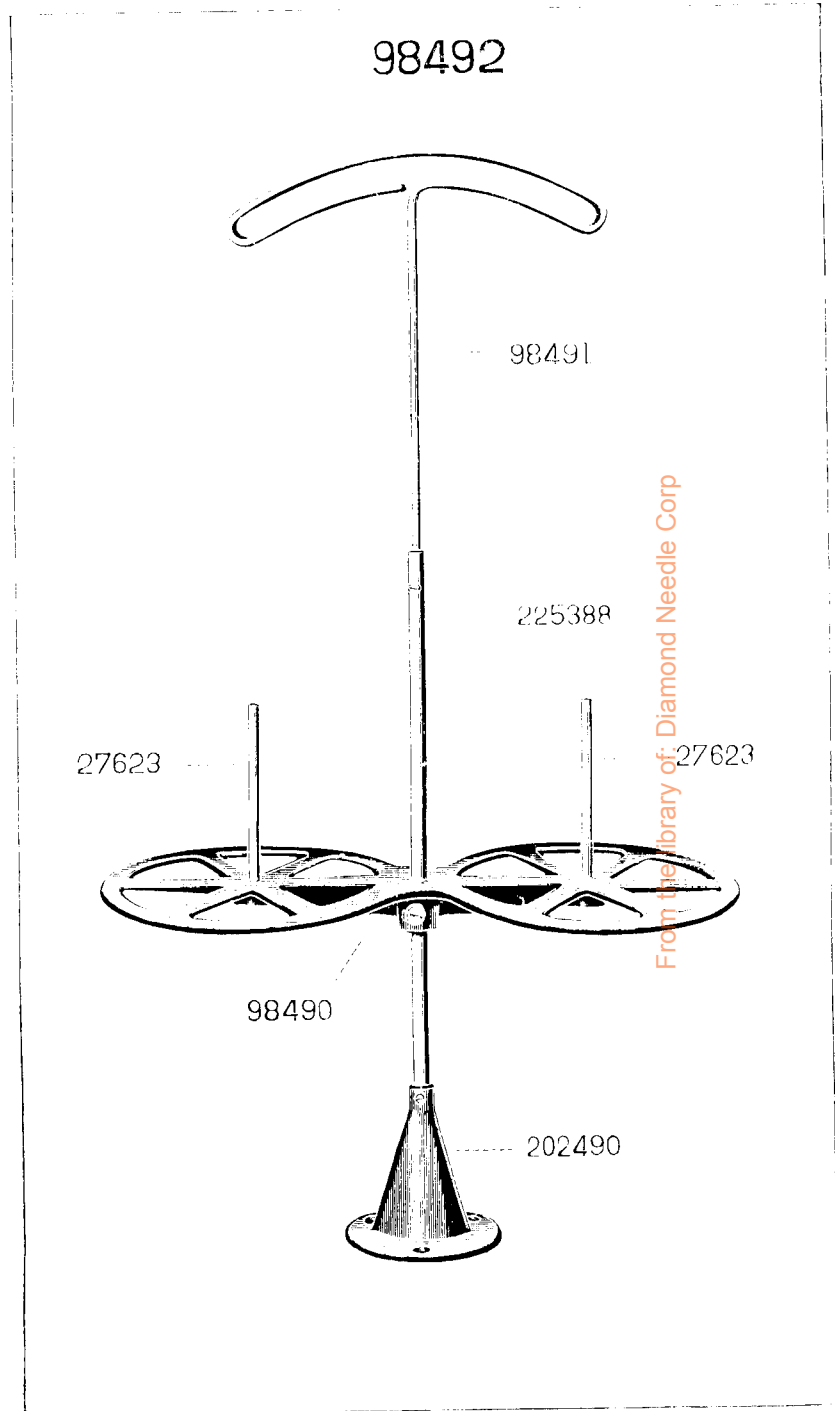
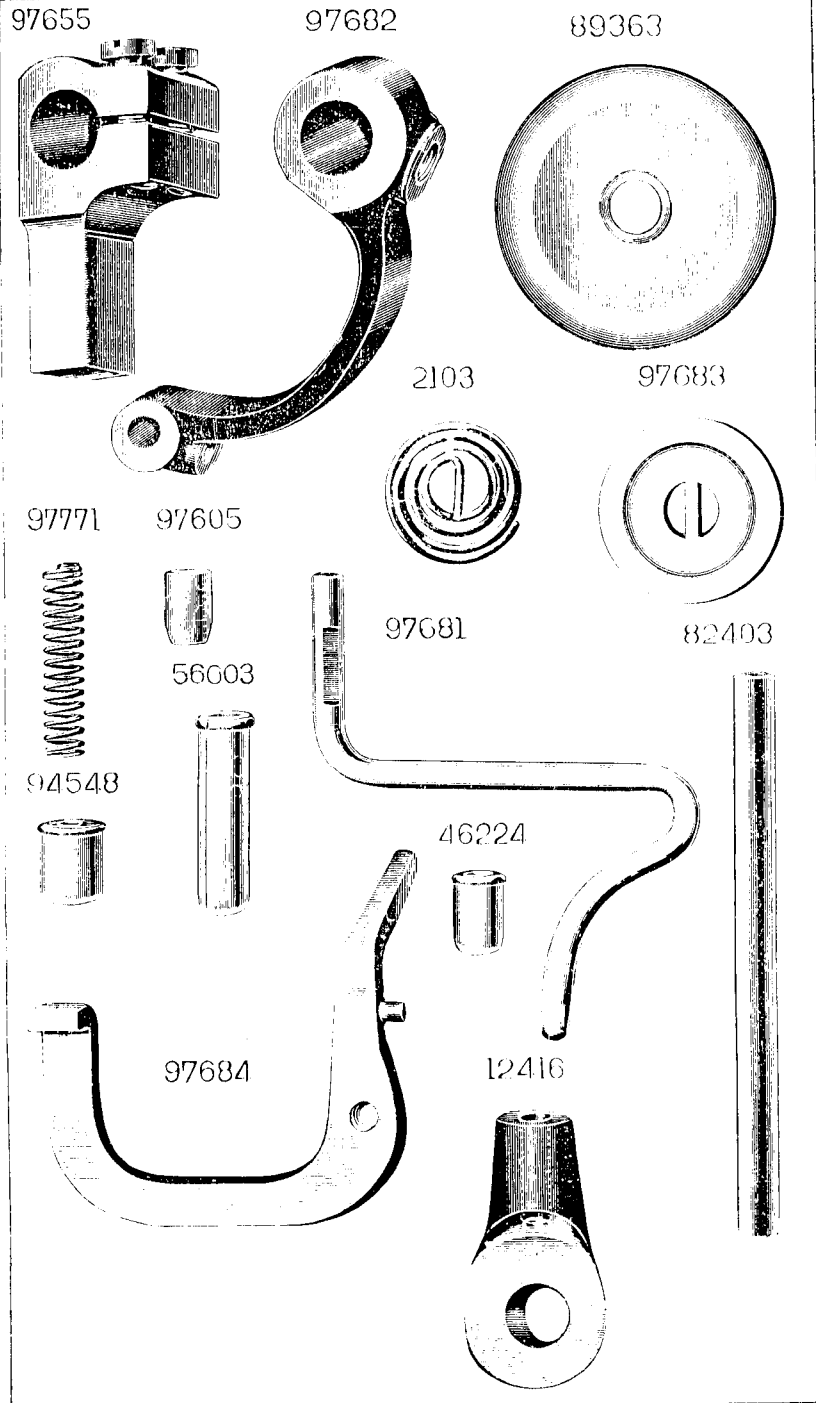
11831

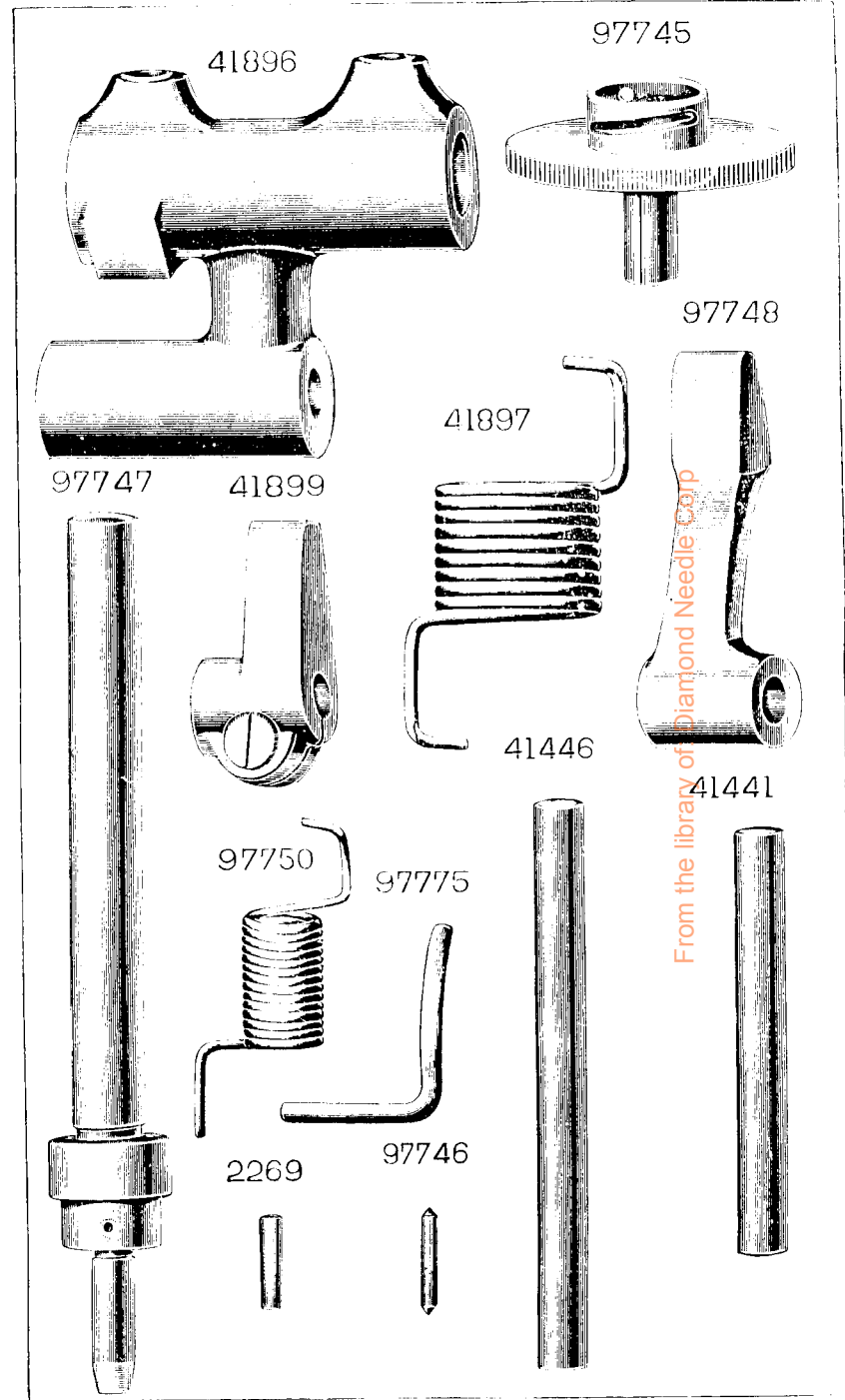
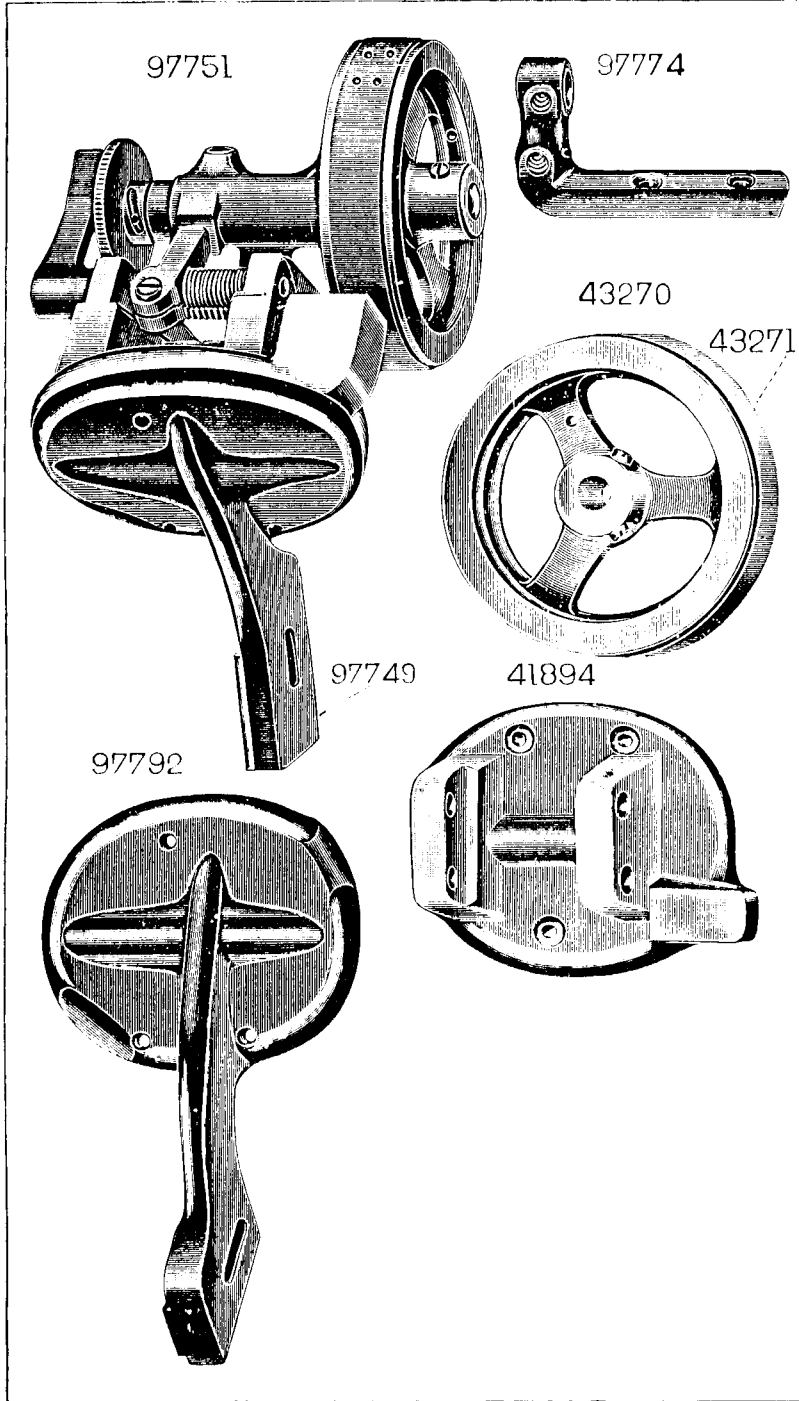


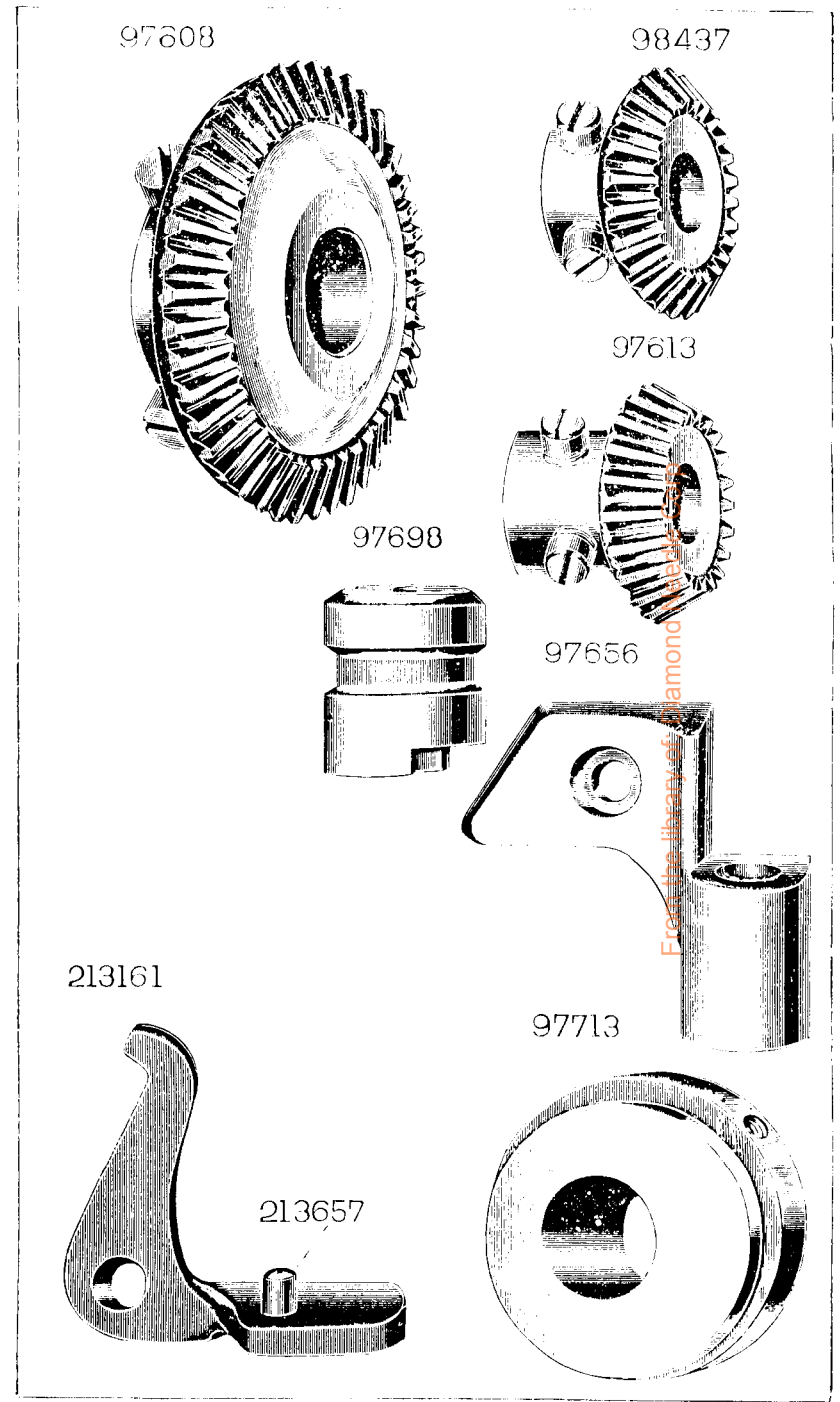
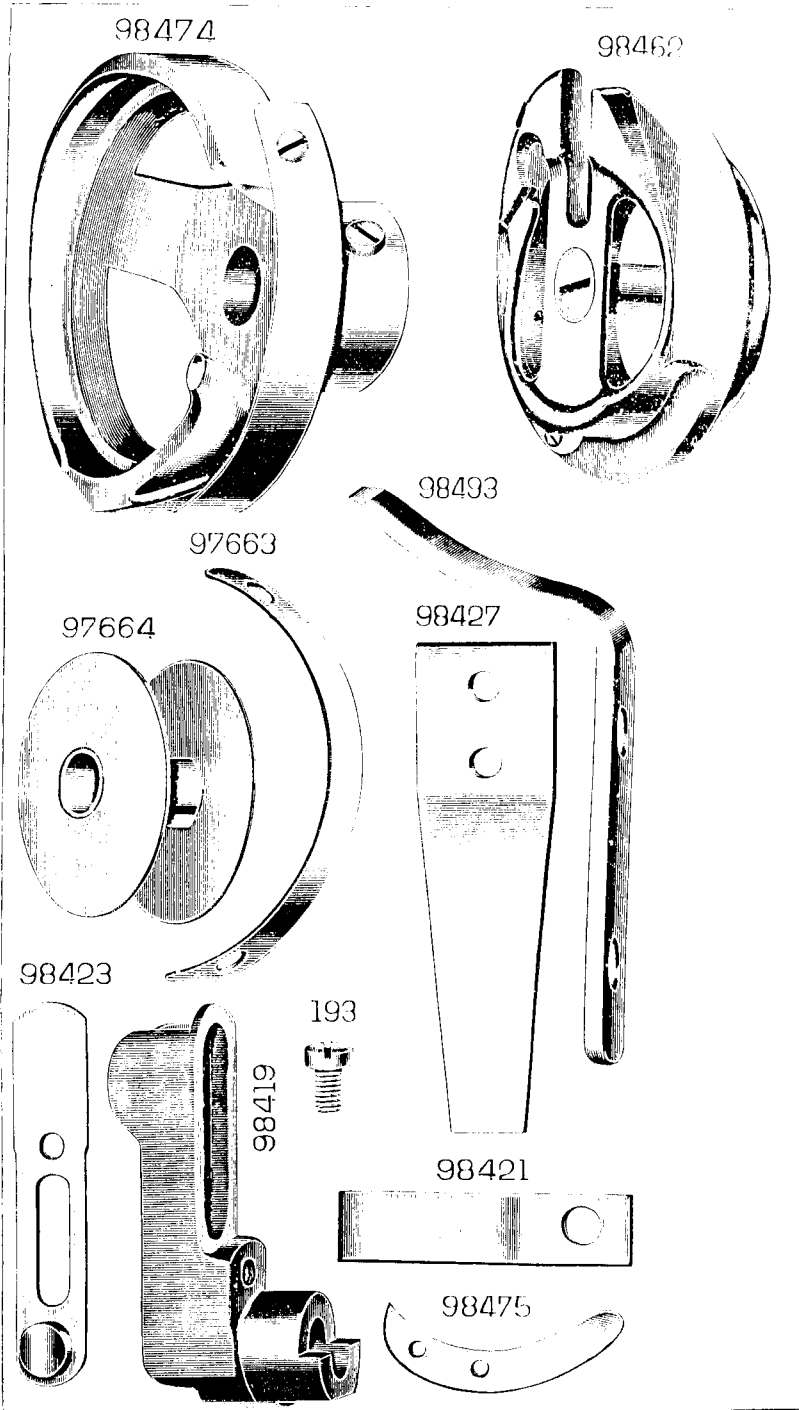
120342

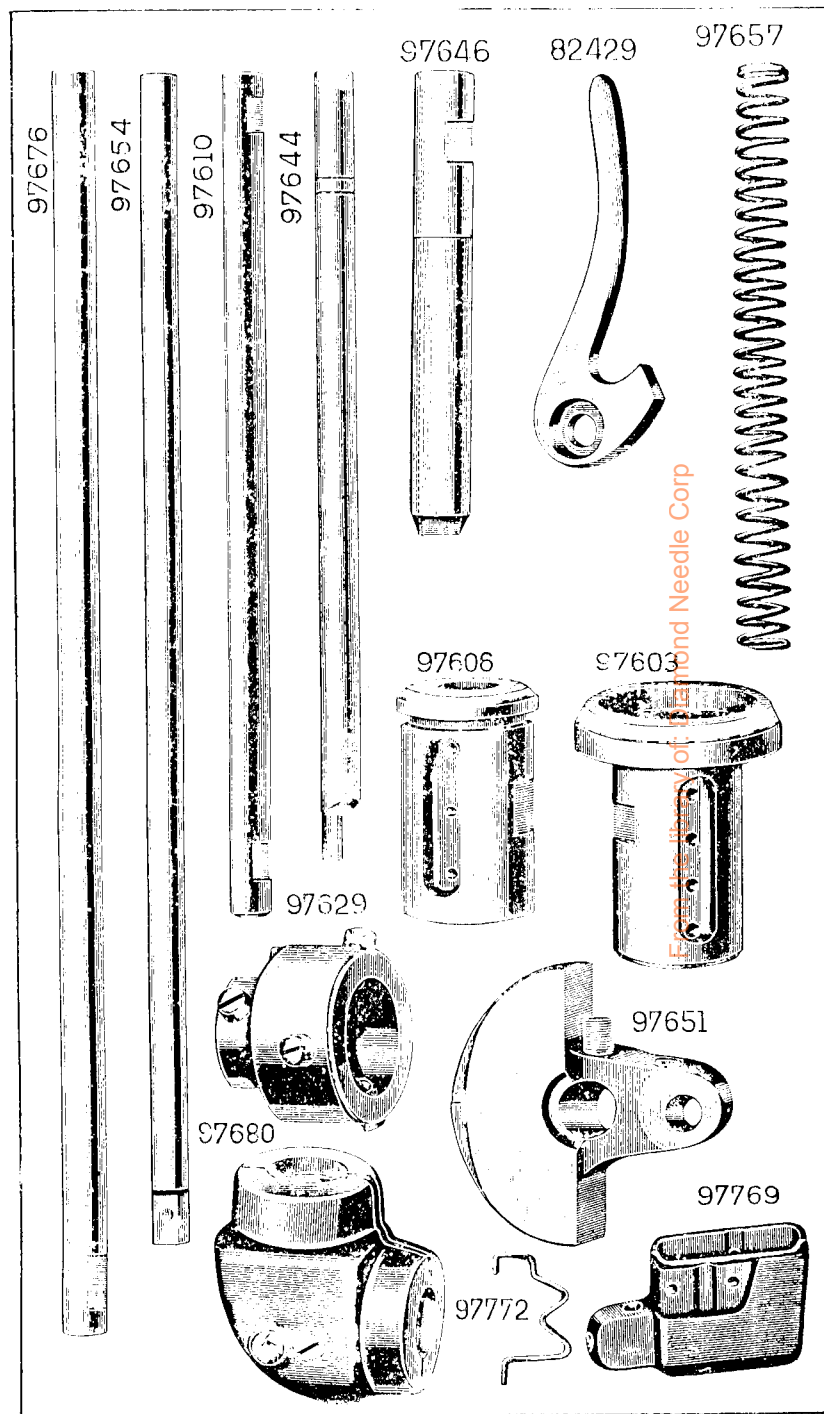
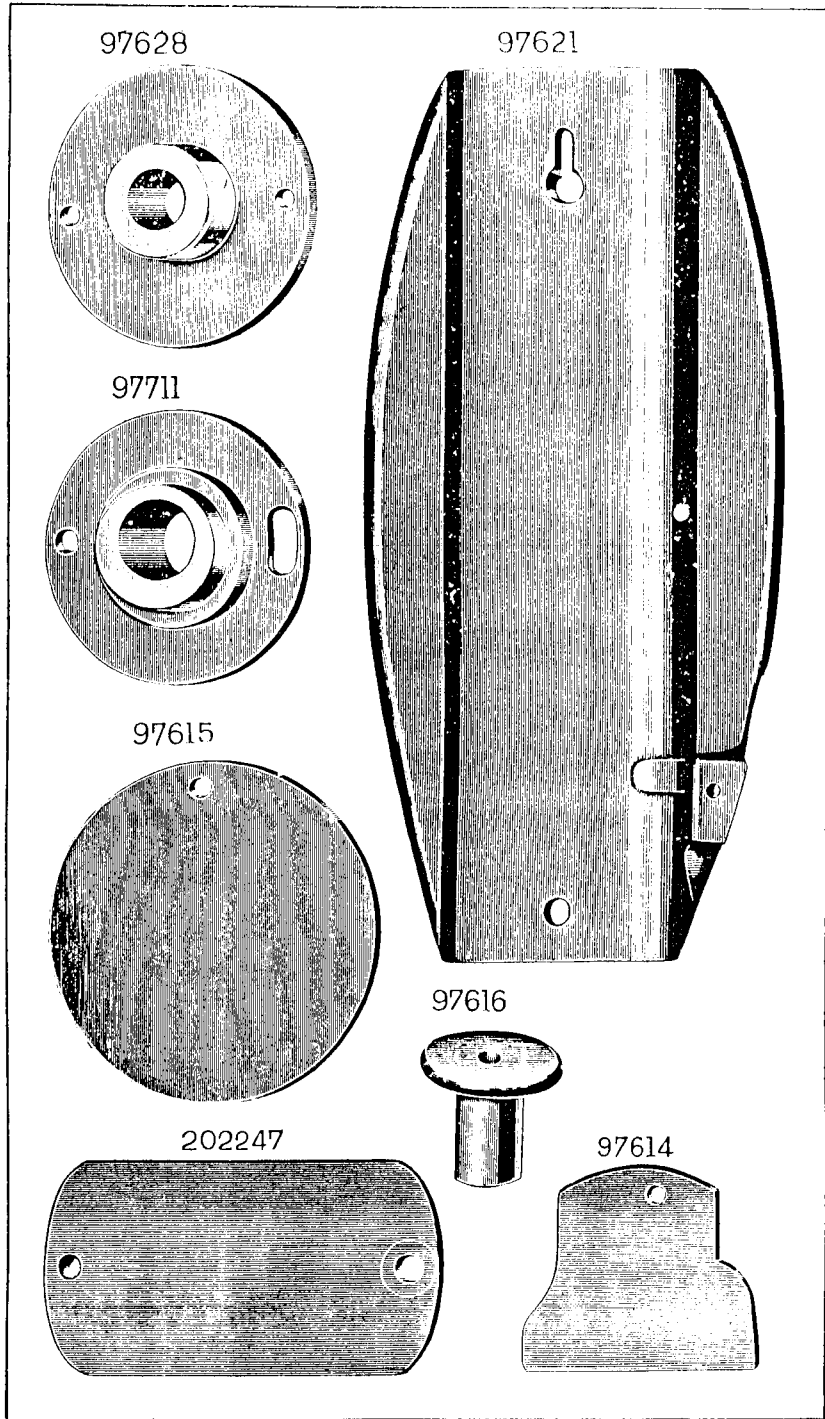


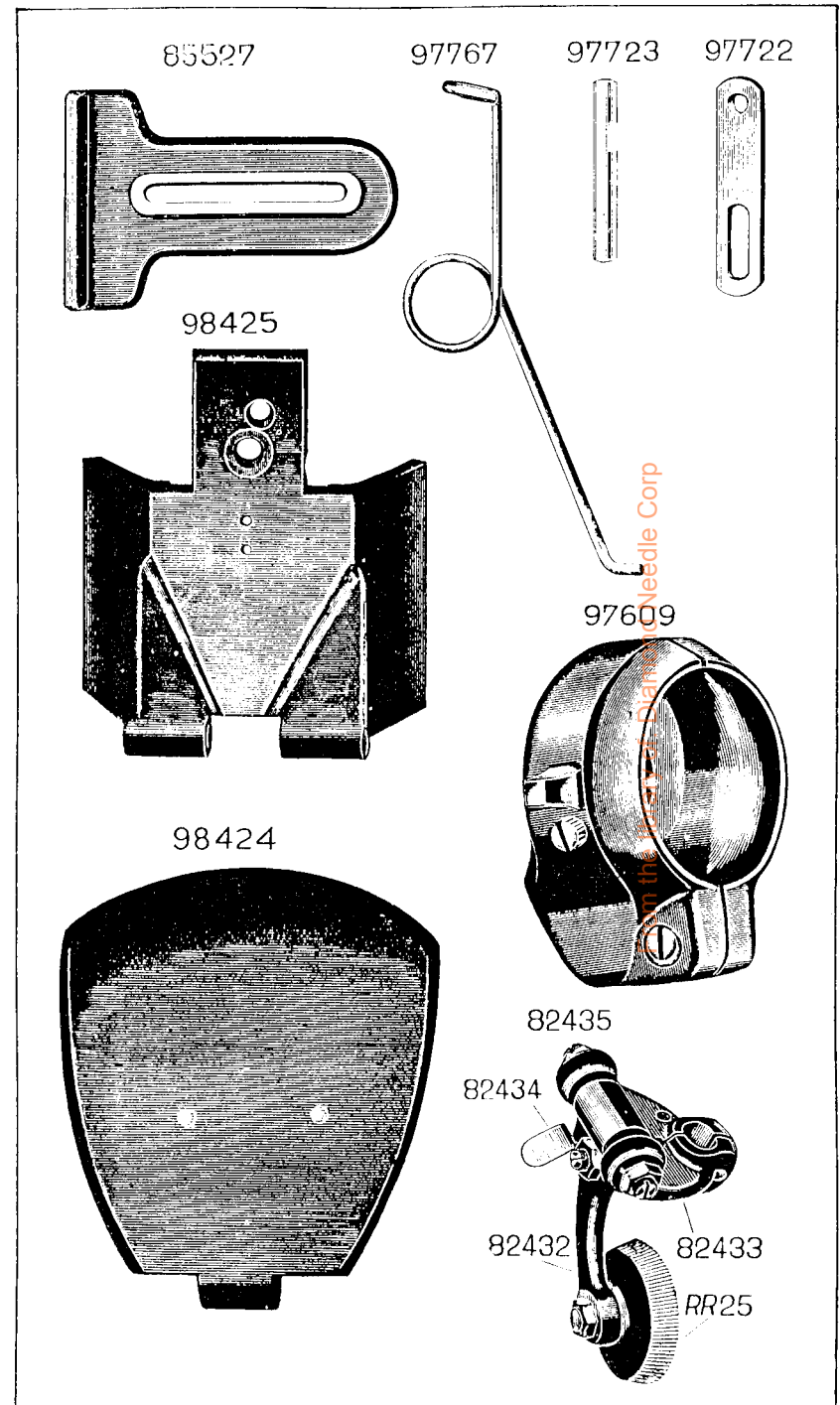
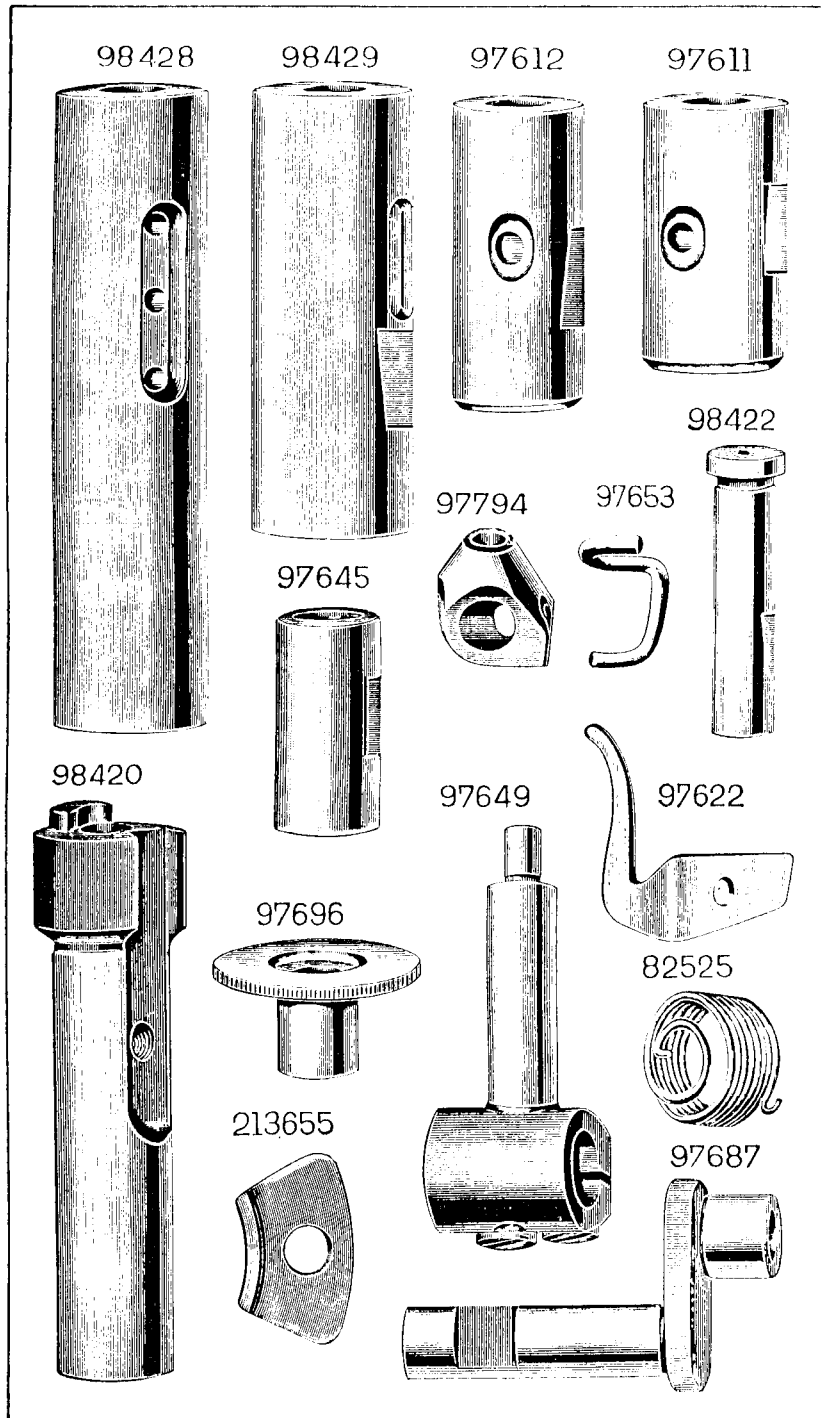
From the library of: Diamond Needle Corp

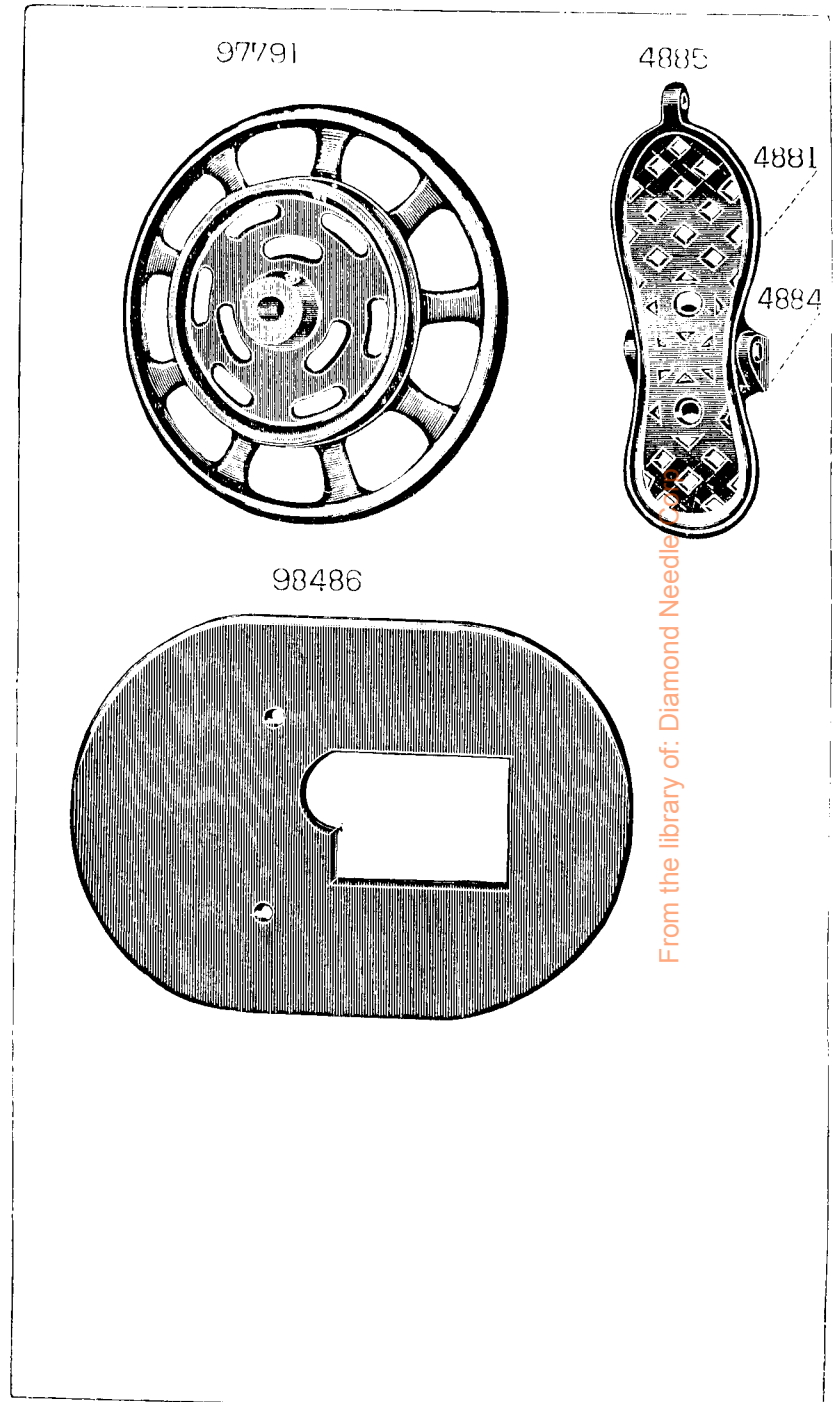
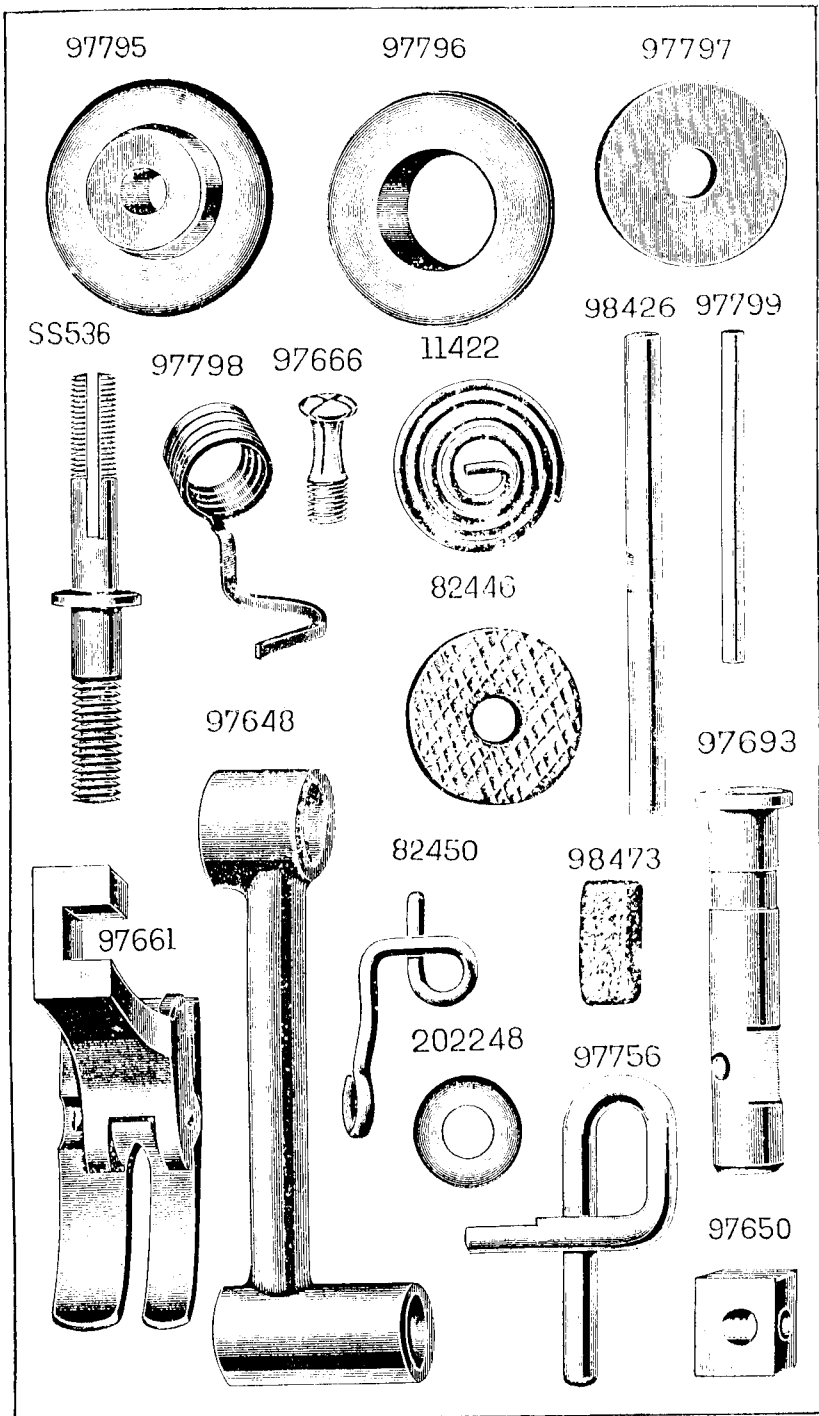






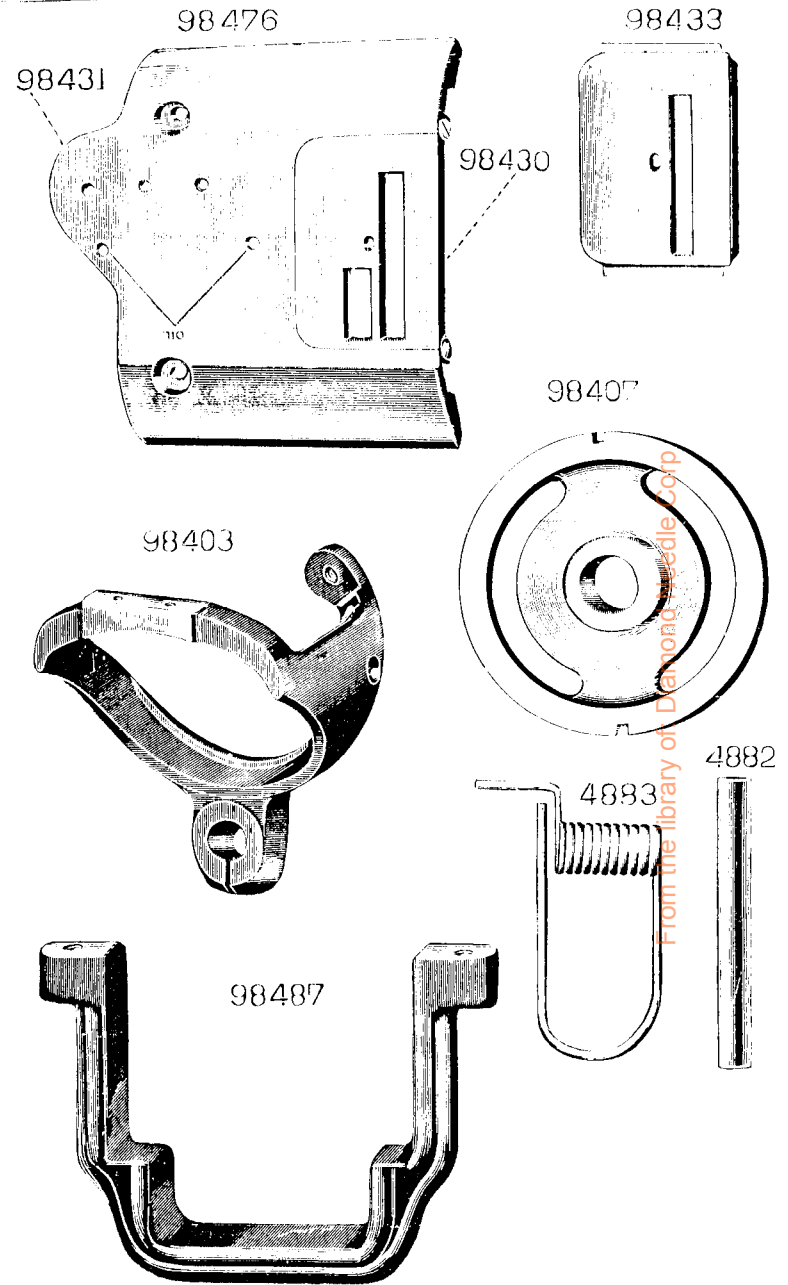
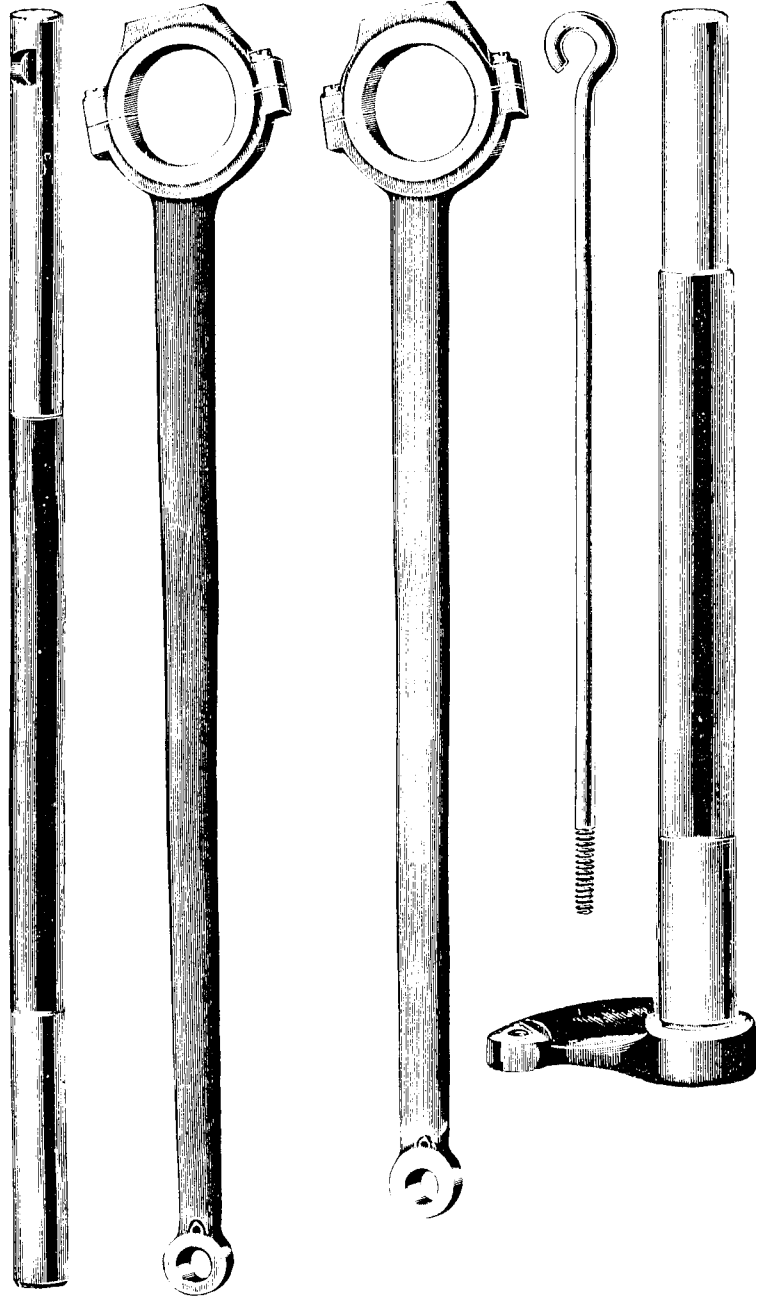


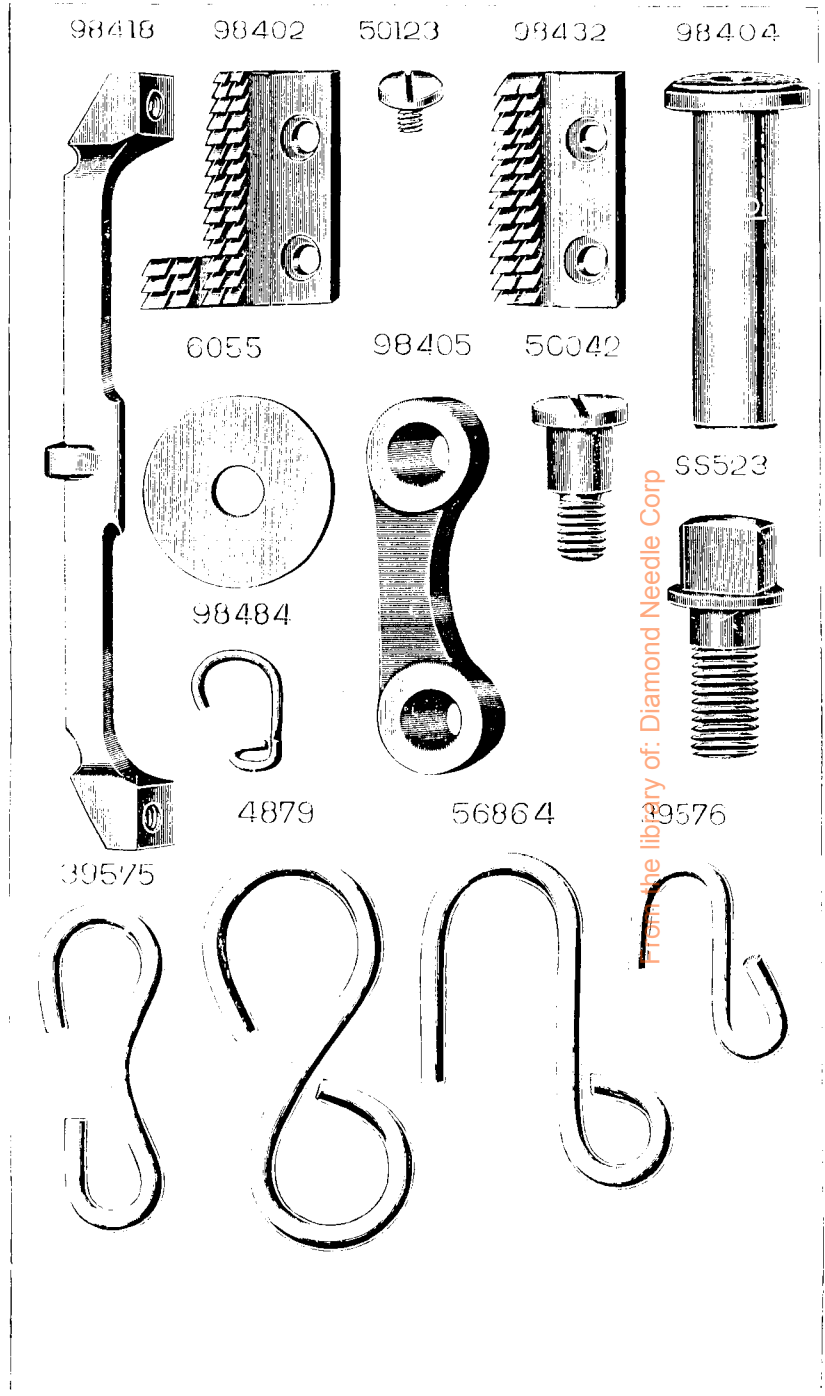
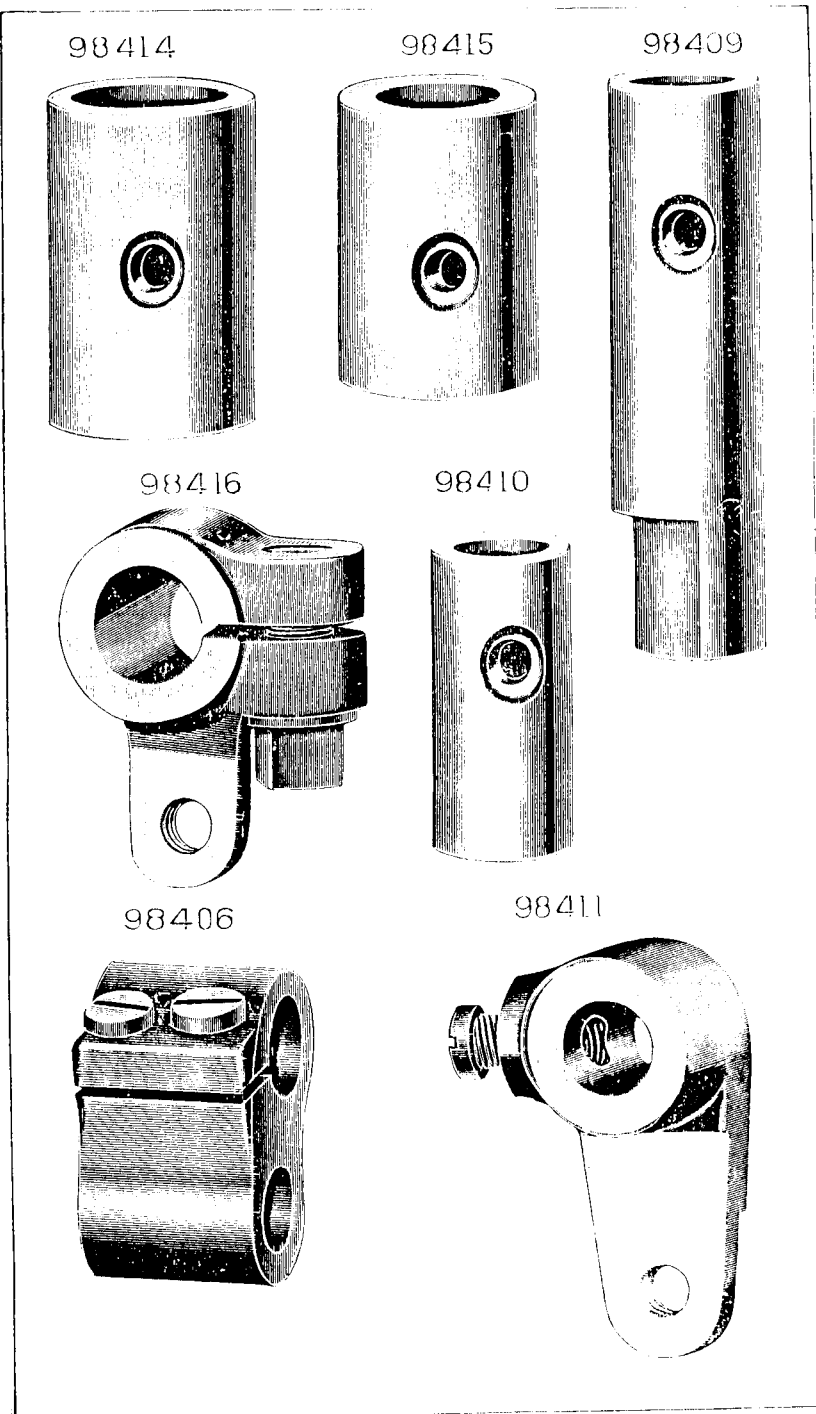


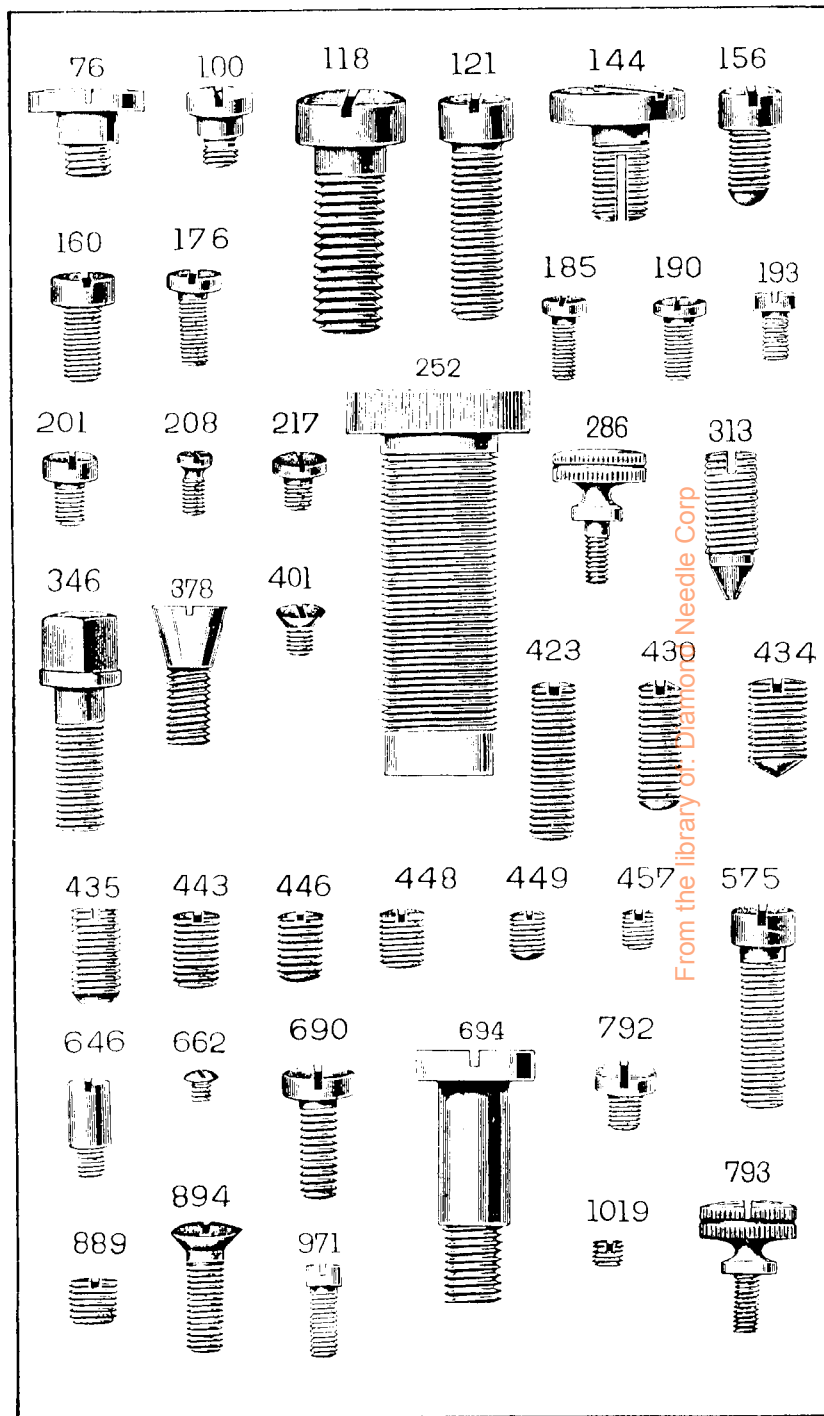
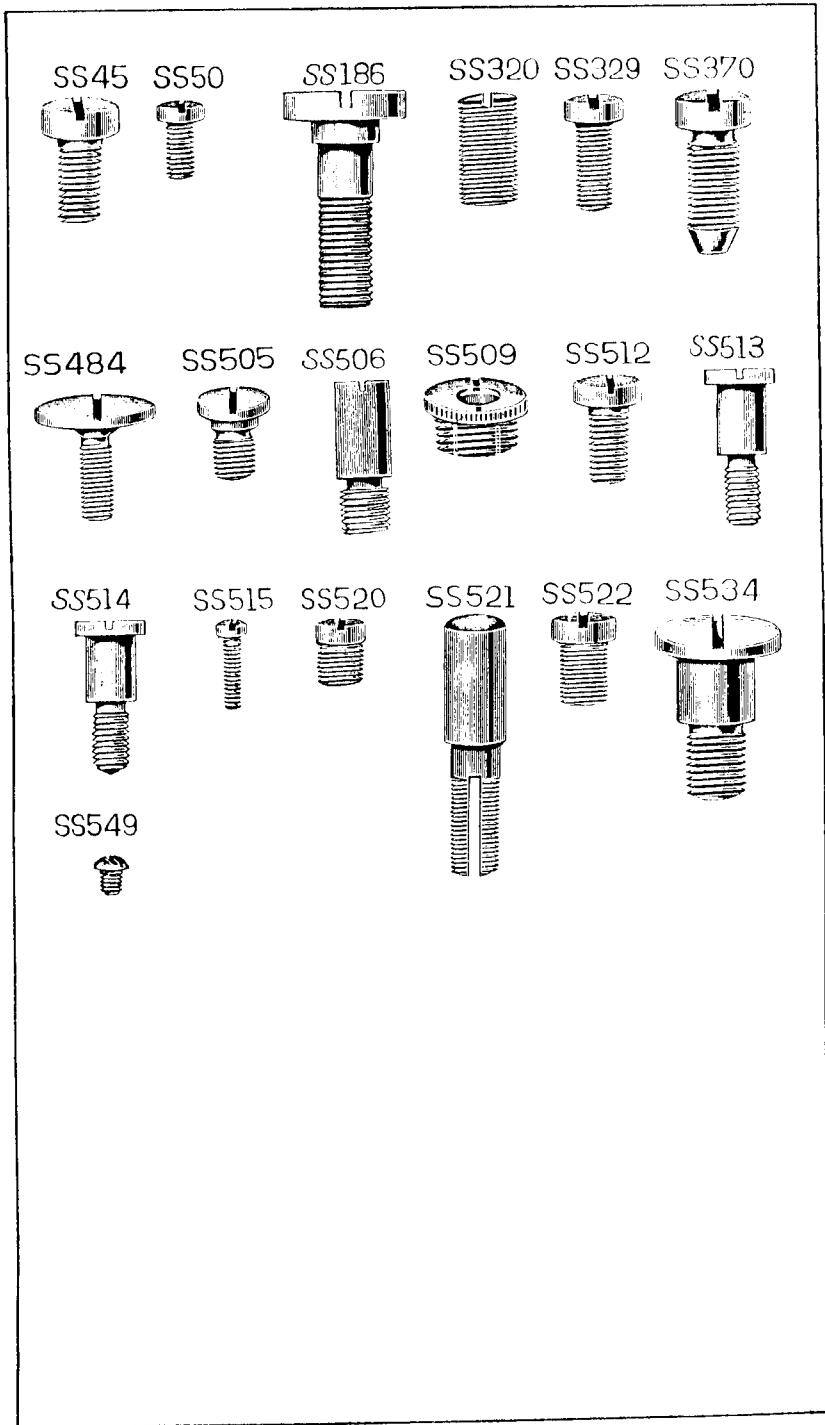


From the library of: Diamond Needle

98408 98412 98417 98470 98413







CONTENTS

	Page
Parts complete for 133K2 Machine	37
" Special to 133K3 Machine	44
Accessories	47
Bobbin Winders	48
Thread Unwinder	50
Foot Lifter	51
Numerical List of Parts	53

From the library of: Diamond Needle Corp

INSTRUCTIONS FOR ORDERING

In ordering from this List, the prefix and affix letters with the part number **MUST BE** quoted exactly as they are shown in the first column.

A number always indicates the same part in whatever List it may appear, or for whatever machine.

The prefix *SS* indicates Screws made only at Singer.

" " *NN* " Nuts made only at Singer.

" " *RR* " Rollers and Studs made only at Singer.

The affix letters (where shown) indicate the style of finish, as follows :

- A. Hardened, Polished, Nickel Plated and Buffed.
- B. Polished, Nickel Plated and Buffed.
- C. Hardened only.
- D. Polished only.
- E. Soft, not Polished.
- F. Hardened and Polished.
- H. Blued.
- J. Nickel Plated only.
- K. Hardened and Nickel Plated.
- L. Brass Plated.
- M. Oxidized.
- N. Japanned, Dull.
- P. Japanned, Bright.
- R. Merlized.
- T. Copper Plated.
- T.A. Hardened, Polished, Copper and Nickel Plated and Buffed.
- T.B. Copper and Nickel Plated and Polished.
- T.J. Copper and Nickel Plated only.
- T.K. Hardened, Copper and Nickel Plated.
- T.L. Copper and Brass Plated.
- T.M. Copper Plated and Oxidized.
- U. Zinc Plated.
- V. Silver Plated.
- W. Polished and Nickel Plated.
- Y. Black Nickel Plated only.
- Z. Chromium Plated.
- Z.B. Polished, Nickel Plated, Buffed and Chromium Plated.
- Z.J. Nickel and Chromium Plated.

In this series :

- 1 to 1500 and 50001 to 51500 are Screw Numbers.
- 1501 " 1800 are Nut Numbers.
- 1801 " 2000 are Roller Numbers.
- 2001 " 50000 are Numbers of Machine Parts, etc.
- 80001 " 100000 are Numbers of Machine Parts, etc., made only at Singer.
- 120001 " 190000 are Numbers of Machine Parts, etc.
- 190001 " 200000 are Numbers of Electrical Parts.
- 700001 and upwards are Numbers of Electrical Parts.

Parts marked with an asterisk () are furnished only when the repairs are made at Factory.*

PARTS COMPLETE

FOR

No. 133K2 MACHINE

Cylinder Bed, Drop Feed, Needle Bar Link, Link Take-up, for General Cloth, Canvas, and Leather Work.

No.	Plate	
*97601		Arm with 15104, 56003, two each 15105 and 94518 ...
8582	1966	" Dowel Pin (2) ...
94518	1851	" Oiler for front bearing ...
94518	1851	" " " back bearing ...
56003	1851	" Oil Tube with 52045 ...
52015		" " " Packing (felt) ...
118c	1979	" Screw (H) ...
97755	1967	" Shaft (horizontal) ...
97603	1969	" " (") Flanged Bushing (back) ...
97605	1851	" " (") " " (") Drain Tube ...
97604	1966	" " (") " " (") Oil Pad ...
146c	1979	" " (") " " (") Set Screw ...
97606	1969	" " (") " " (") Oil Pad ...
97607	1966	" " (") " " (") Oil Pad ...
50084c	1980	" " (") " " (") Set Screw ...
97608	1965	" " (") Gear with two 50083c ...
97609	1971	" " (") " Case (2 pieces) with 121c and 50234d ...
50234d	1980	" " (") " " Plug Screw ...
121c	1979	" " (") " " Screw ...
50083c	1980	" " (") " " Set Screw ...
144c	1979	" " (") Screw ...
97610	1969	" " (upright) ...
97611	1970	" " (") Bushing (lower) ...
575c	1979	" " (") " (") Set Screw ...
97612	1970	" " (") " (upper) ...
575c	1979	" " (") " (") Set Screw ...
98137	1965	" " (") Gear (lower) with SS520c and 50200c ...
50200c	1980	" " (") " (") Position Screw ...
SS520c	1978	" " (") " (") Set Screw ...
97613	1965	" " (") " (upper) with SS520c and 50200c ...
50200c	1980	" " (") " (") Position Screw ...
SS520c	1978	" " (") " (") Set Screw ...
97614	1968	" Side Cap ...
1226d	1980	" " " Screw ...
97615	1968	" " Cover ...
51224	1979	" " " Thumb Screw ...
202247	1968	" Top Cover ...

From the library of: Diamond Needle Corp

9/34

5/34

No.	Plate						
SS505h	1978	Arm Top Cover Screw
202248	1972	" " " " Washer
82403	1851	" Spool Pin (2)
97616	1968	" " " Bushing
97617	1967	Balance Wheel, 5 1/4" pulley with two 434c
97791	1973	" " 5 1/4" " (9" diam.) with two 434c, for Foot Power
434c	1979	" " Set Screw
<i>NOTE. No. 97617 is sent with this machine unless otherwise specified on order, but Bobbin Winder No. 97793 must be used with Balance Wheel No. 97791.</i>							
*98401		Bed
97621	1968	Face Plate
SS45f	1978	" " Screw (2)
97622	1970	" " Thread Guard
190d	1979	" " " " Screw
98484	1977	" " " " Thread Retainer
98402	1977	Feed Dog
98403	1975	" " Carrier
98404	1977	" " " Hinge Stud
1396c	1980	" " " " " Clamping Screw
46224	1851	" " " " " Oiler
98406	1976	" " " Lifting Crank with two 1177c
1177c	1980	" " " " " Clamping Screw
98405	1977	" " " Link
50042c	1977	" " " " Hinge Screw (2)
1620c	1980	" " " " " Nut (2)
971c	1979	" " " Position Screw
SS50c	1978	" " Screw (2)
97711	1968	Feed Eccentric
98407	1975	" " Adjusting Disc
97628	1968	" " " Flange
97629	1969	" " " " Coupling with five 50083c
50083c	1980	" " " " " Screw
213655	1970	" " Friction Spring Washer
SS513c	1978	" " " " " Screw
1521e	1980	" " " " " Nut
SS514e	1978	" " Fulcrum Screw

No.	Plate						
1521e	1980	Feed Eccentric Fulcrum Screw Nut
97713	1965	" Lifting Eccentric with two 446c
446c	1979	" " " Set Screw
98408	1974	" " Rock Shaft
98409	1976	" " " " Bushing (front)	
423c	1979	" " " " " (") Set Screw	
98410	1976	" " " " " (back)	
435c	1979	" " " " " (") Set Screw	
98412	1974	" " " " Connecting Rod with 97716 and two 1186e	
*97716		" " " " " Cap	
1186e	1980	" " " " " Screw	
SS534c	1978	" " " " " Hinge Screw	
1608c	1980	" " " " " Nut	
98411	1976	" " " " Crank	
SS370c	1978	" " " " " Set Screw	
213161	1965	" Regulating Lever with 213657	
SS506c	1978	" " " Hinge Screw	
97774	1851	" " " Spring	
213657	1965	" " " " Pin	
98413	1974	" Rock Shaft	
98414	1976	" " " Bushing (front)	
423c	1979	" " " " (") Set Screw	
98415	1976	" " " " (back)	
435c	1979	" " " " (") Set Screw	
98417	1974	" " " Connecting Rod with 97716 and two 1186e	
*97716		" " " " Cap	
1186e	1980	" " " " " Screw	
SS534c	1978	" " " " " Hinge Screw	
1608c	1980	" " " " " Nut	
98416	1976	" " " Crank with SS523c	
SS523c	1977	" " " " Clamping Screw	
85527	1971	Guide	
793d	1979	" Thumb Screw (2)	
97644	1969	Needle Bar (hollow)	
97645	1970	" " Bushing (lower)	
889c	1979	" " " (") Set Screw	
97646	1969	" " " (upper)	
SS509e	1978	" " " (") Cap Screw	
46224	1851	" " " (") Oiler	
889c	1979	" " " (") Set Screw	
97648	1972	" " " Connecting Link	
97649	1970	" " " " Stud with two SS512c	
SS512c	1978	" " " " Clamping Screw	
97650	1972	" " " " Slide Block	

From the library of Diamond Needle Corp

No.	Plate	
97651	1969	Needle Bar Crank with SS320c and SS370c
SS370c	1978	" " " Position Screw
SS320c	1978	" " " Set Screw
97794	1970	" Clamp
97652		" " 97794 with 156f, 217f and 97653
156f	1979	" " Screw
97653	1970	" " Thread Guide
217f	1979	" " " Screw
97654	1969	Presser Bar (hollow)
97655	1851	" " Guide Bracket with two 1186c
1186c	1980	" " " " Clamping Screw
82429	1969	" " Lifter
SS186f	1978	" " " Screw
1518c	1980	" " " Nut
97656	1965	" " Lifting and Releasing Lever Bracket
97657	1969	" " Spring
8554		Presser Foot Hinge Pin
97658		" " Plate
97659		" " Shank
95489	1966	" " Spring
97661	1972	" " (hinged), complete, Nos. 8554, 95489, 97658 and 97659
SS329f	1978	" " Screw
1547c	1980	" " " Nut
252c	1979	Pressure Regulating Thumb Screw
98474	1964	Rotating Hook (short point) with 97663, two 401d and three SS522c
98465		" " 98474 with 98466
97664	1964	" " Bobbin
98461		" " Case
98462	1964	" " " Nos. SS549f, 662f, 50056f, 97666, 98461 and 98475
98466		" " " 98462 with 97664
97666	1972	" " " Bobbin Retainer
50056f	1980	" " " " Screw
98418	1977	" " " Position Bracket
185c	1979	" " " " Screw (2)
98419	1964	" " " Retainer
98420	1970	" " " Bracket
446c	1979	" " " " Set Screw (2)
98493	1964	" " " Guard
193d	1964	" " " " Screw
98422	1970	" " " Hinge Stud
889c	1979	" " " " Set Screw
98421	1964	" " " Position Spring
792c	1979	" " " " Screw

No.	Plate	
98423	1964	Rotating Hook Bobbin Case Retainer Spring with 98468
*98468		" " " " " Pad
201f	1979	" " " " " Screw
98475	1964	" " " " Tension Spring
SS549f	1978	" " " " " Adjusting Screw
662f	1979	" " " " " Screw
98424	1971	" " " Cover Plate
98425	1971	" " " " Bracket
SS45f	1978	" " " " " Screw
98426	1972	" " " " Hinge Pin
1019c	1979	" " " " " Set Screw
98427	1964	" " " " Spring
176d	1979	" " " " " Screw
98494		" " " " complete, Nos. 1019c, 98424 to 98427, 98493, two each 176d and 193d
SS522c	1978	" " " Screw
97676	1969	" " " Shaft
98428	1970	" " " Bushing (back)
97678	1966	" " " " (") Oil Feed
448c	1979	" " " " " (") Set Screw
98429	1970	" " " " " (front)
98473	1972	" " " " " (") Oil Feed
423c	1979	" " " " " (") Set Screw
98437	1965	" " " " Gear with SS520c and 50200c
97680	1969	" " " " Case (2 pieces) with 121c and 50234d
50234d	1980	" " " " " Plug Screw
121c	1979	" " " " " Screw
50200c	1980	" " " " " Position Screw
SS520c	1978	" " " " " Set Screw
97663	1964	" " " Thread Guard
401d	1979	" " " " " Screw
97681	1851	Slack Thread Regulator
1147c	1980	" " " " Set Screw
97682	1851	" " " " Bracket
448c	1979	" " " " " Set Screw
97795	1972	Tension Disc (inner)
97796	1972	" " " (outer)
1560d	1980	" " " Regulating Thumb Nut
97683	1851	" " " Releasing Disc
97684	1851	" " " Lever
646d	1979	" " " " Hinge Screw
12329	1966	" " " " Spring
97799	1972	" " " Pin
SS536d	1972	" " " Screw Stud
11422	1972	" " " Spring

From the library of the Ham and Needle Co.

No.	Plate						
82446	1972	Tension Washer (felt)					
97797	1972	" " (fibre)					
97800	---	Tension (Rotating) and Thread Take-up Spring , complete, Nos. SS536d, 1560d, 11422, 82446, 82525, 97683, 97696, 97698 and 97795 to 97798					
97756	1972	Thread Guard (side of arm)					
1143c	1980	" " Set Screw					
97769	1969	" Lubricating Cup					
97770	---	" " " 97769 with 160c, 97772 and 250519					
250519	1966	" " " Oil Pad (felt)					
160c	1979	" " " Set Screw					
97772	1969	" " " Thread Guide					
89363	1851	" Retaining Disc					
1110e	1980	" " Screw Stud					
1560d	1980	" " " " Regulating Thumb Nut					
2103	1851	" " Spring					
97757	---	" Retainer, complete, Nos. 1110e, 1560d, 2103 and two 89363					
82450	1972	" " Thread Eyelet					
SS50f	1978	" " " " Screw					
97687	1970	" Take-up Crank					
SS484e	1978	" " " Cap Screw					
97688	1966	" " " Cotter Pin					
690c	1979	" " " " Screw					
97689	1966	" " Lever					
97690	1966	" " Bushing					
SS515d	1978	" " " Clamping Screw					
97691	1966	" " Hinge Pin					
97692	1966	" " Link					
97693	1972	" " " Hinge Pin					
457e	1979	" " " " " End Screw					
430c	1979	" " " " " Set Screw					
97694	---	" " " complete, Nos. 457e, SS515d and 97689 to 97693					
82525	1970	" " Spring					
97696	1970	" " Adjusting Sleeve					
97798	1972	" " Lever					
97698	1965	" " Regulator					
443c	1979	" " " Set Screw					
98430	1975	Throat Plate					
98431	1975	" " Body					
98476	1975	" " " complete, Nos. 98430, 98431 and two 50123f					
SS45f	1978	" " " Screw (2)					
50123f	1977	" " Screw					

No.	Plate						
98486	1973	Work Plate					
98487	1975	" " Bracket					
50512d	1980	" " " Screw					
98488	---	" " complete, Nos. 98486, 98487 and two 50512d					

NOTE. --No. 98488 is only supplied when specified on order and at an extra charge.

*15404		Trade Mark					
15405		" " Rivet					

PARTS SPECIAL
TO
No. 133K3 MACHINE

**Cylinder Bed, Drop Feed, Roller Presser, Needle Bar Link, Link Take-up,
for Leather Work.**

This machine is the same as No. 133K2 with the following exceptions:

No.	Plate							
98432	1977	Feed Dog
<i>RR25</i>	1971	Roller ($1\frac{1}{2}$ " dia. \times $\frac{5}{16}$ " face) with 378c and 1520r
82432	1971	" Arm
82433	1971	" " Bracket
430c	1979	" " " Adjusting Screw
1520r	1980	" " " " Nut
SS329c	1978	" " " Clamping Screw
82434	1971	" " Lock Spring
SS50c	1978	" " " " Screw
313c	1979	" " Screw Centre
1519e	1980	" " " " Nut
378c	1979	" Bearing Screw
1520r	1980	" " " Nut
82435	1971	Roller Presser , complete ($1\frac{1}{2}$ " \times $\frac{5}{16}$ "), Nos. <i>RR25</i> , <i>SS50c</i> , <i>SS329c</i> , <i>430c</i> , <i>1520r</i> , <i>82432</i> to <i>82434</i> , two each <i>313c</i> and <i>1519e</i>
98433	1975	Throat Plate
98477	---	Throat Plate Body , complete, Nos. 98431, 98433 and two 50123I						

Accessories

No.	Plate	
-	-	Instruction Book
938c	1980	Machine Bolt with 1524e, 3" x 1/4" (4)
6055	1977	" " Washer (4)
216x1	-	Needles (6) for 133K2 Machine
216x2	-	" (6) " 133K3 "
120342	1600	Oiler
97664	1964	Rotating Hook Bobbin (5)
11831	1600	Screw Driver (large)
120378	1966	" " (small)

From the library of: Diamond Needle Corp

Bobbin Winder

(Swinging Automatic, Left Hand)

No.	Plate	
41894	1856	Base with 449c
894d	1979	" Screw
97745	1857	Bobbin Holder
97746	1857	" " Pin
41896	1857	Frame
41441	1857	" Hinge Pin
449c	1979	" " " Set Screw
125044	1979	" Oil Pad
41897	1857	" Spring
43270	1856	Friction Pulley with 43271, two 418c and ten 26070
43271	1856	" " Ring (leather)
26070		" " " Rivet (brass)
418c	1979	" " " Set Screw
97747	1857	Spindle
97748	1857	Stop Latch
41446	1857	" " Hinge Pin
2269	1857	" " Pin
97749	1856	Support Bracket
346e	1979	" " Screw
97774	1856	Tension Bracket
50073d	1980	" " Screw (2)
2102	1966	" Disc
SS521c	1978	" Screw Stud
889c	1979	" " " Set Screw
1560d	1980	" " " Thumb Nut
2103	1851	" Spring
97775	1857	" Thread Guard
889c	1979	" " " Set Screw
97776		Tension, complete, Nos. SS521c, 1560d, 2103, 97774, 97775, two each 889c and 2102
41899	1857	Tripping Arm with 176d
176d	1979	" " Clamping Screw
97750	1857	" " Spring
97751	1856	Bobbin Winder , complete, Nos. 346e, 2269, 4141 ¹²⁵⁰⁴⁴ , 41441, 41446, 41894, 41896, 41897, 41899, 43270, 97745 to 97750, 97776, two 50073d and three 894d

9/34

9/34

Bobbin Winder

(Swinging Automatic, Left Hand)

For machine when fitted with Balance Wheel No. 97791
for Foot Power.

This is the same as Bobbin Winder No. 97751 with the following exceptions:

No.	Plate	
97792	1856	Support Bracket
97793	—	Bobbin Winder , complete, Nos. 346e, 2269, 4141 ¹²⁵⁰⁴⁴ , 41441, 41446, 41894, 41896, 41897, 41899, 43270, 97745 to 97748, 97750, 97776, 97792, two 50073d and three 894d

9/34

From the library of: Diamond Needle Co.

Thread Unwinder

FOR TWO SPOOLS OF THREAD

No.	Plate						
27623	1855	Spool Pin
98489	-	" Rest
98490	1855	" "	98489 with 1149c and two 27623
225388	1855	" "	Rod
200383c	1980	" "	" Set Screw
1149c	1980	" "	" Set Screw
202490	1855	" "	Stand with 200383c
98491	1855	Thread Guide with 208c
208c	1979	" "	" Set Screw
...	...		Screw (Wood) $\frac{3}{8}$ " No. 13 (for fixing to table)
98492	1855	Thread Unwinder , complete, Nos. 98490, 98491, 202490, 225388 and three Wood Screws $\frac{1}{4}$ " No. 13

Foot Lifter

No.	Plate						
4881	1973	Foot Lever
4884	1973	" "	Floor Bracket
		" "	" " Screw (Wood) 1" No. 16
4882	1975	" "	Hinge Pin
4883	1975	" "	" " Spring
4885	1973	" "	complete, Nos. 4879, 4881 to 4884 and two Wood Screws 1" No. 16
97785		" "	Chain (31" long), with 39575, 39576 and 56864
4879	1977	" "	" Connecting Link
39576	1977	" "	" Hook (upper)
39575	1977	" "	" " (centre)
56864	1977	" "	" " (lower)
97786		" "	complete, Nos. 4885 and 97785
97787	1967	Lifting Lever with 448c
98470	1974	" "	Connecting Rod
12416	1851	" "	" " Joint
76d	1979	" "	" " " Hinge Screw
1521c	1980	" "	" " " Lock Nut
694d	1979	" "	Hinge Screw
97722	1971	" "	Link
100d	1979	" "	" Hinge Screw
97723	1971	" "	Pin
448c	1979	" "	" Set Screw
97767	1971	" "	" Spring
98472		Foot Lifter , complete, Nos. 76d, 100d, 694d, 1521c, 12416, 97722, 97723, 97767, 97786, 97787 and 98470

From the library of: Diamond Needle Corp